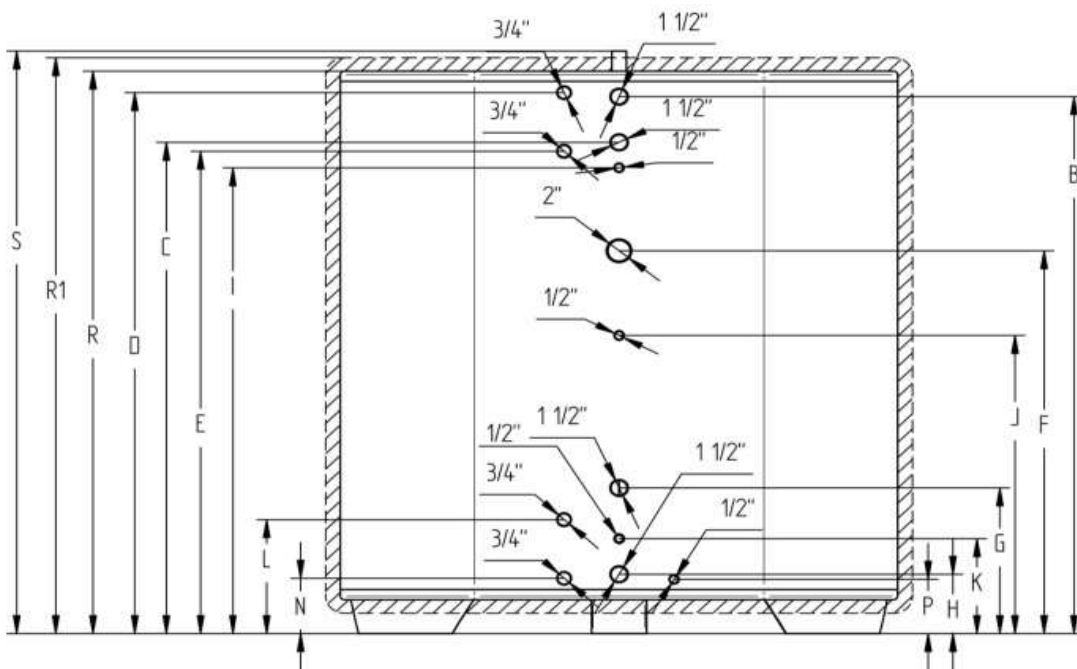
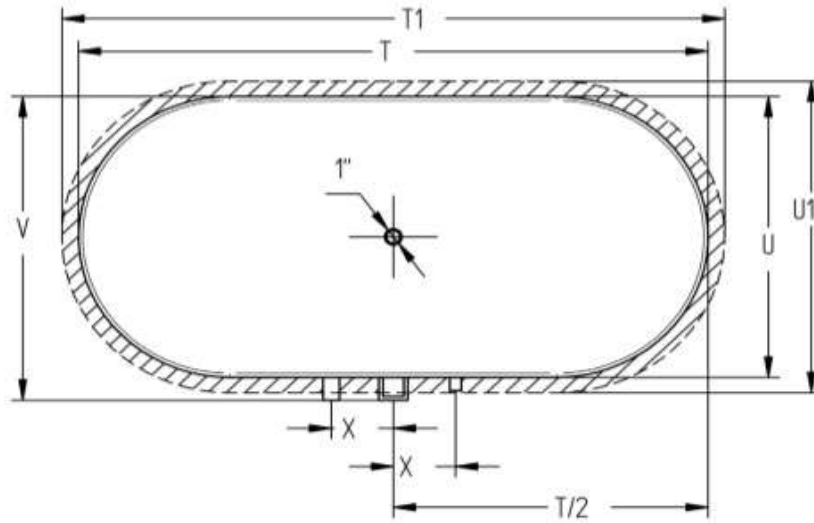


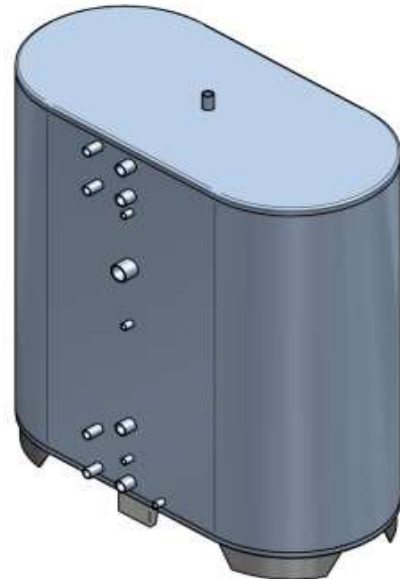
OVAL ACCUMULATION TANKS WITH HEAT-EXCHANGERS

MODEL		Mi-1000-OV	Mi-1500-OV	Mi-2000-OV	Mi-2500-OV	Mi-3000-OV
Volume	L	1000	1500	2000	2500	3000
Weight	kg	275	315	375	500	550
Max. operational temperature (Cmax)	C	95	95	95	95	95
Max. operational pressure (Pmax)	Bar	2	2	2	2	2
Insulation	mm	100	100	100	100	100
T	mm	1100	1520	1900	2400	2780
T1	mm	1300	1720	2100	2600	2980
U	mm	730	730	730	730	730
U1	mm	930	930	930	930	930
V	mm	830	830	830	830	830
X	mm	140	140	140	140	140
S	mm	1820	1820	1820	1820	1820
R	mm	1720	1720	1720	1720	1720
D	mm	1604	1617	1605	1611	1610
E	mm	1446	1473	1442	1451	1465
C	mm	1446	1459	1442	1451	1465
I	mm	1364	1377	1365	1351	1315
B	mm	1604	1617	1605	1611	1610
F	mm	1135	1150	1135	1121	1085
J	mm	914	930	912	901	865
G	mm	624	637	625	611	575
L	mm	453	426	467	401	425
N	mm	226	229	224	211	230
K	mm	476	490	475	461	425
H	mm	226	239	224	211	230
P	mm	208	219	195	181	205



OVAL ACCUMULATION TANKS WITH HEAT-EXCHANGERS

		DW	S
Exchanger surface area	m ²	1,34	2,68
Exchanger volume	l	4,3	8,6
Exchanger tube length	m	10	20
Working max. temperature	°C	95	95
Working max. pressure	bar	6	6
Connections	DN	20	20
		DW	S
Tank temperature	°C	63	63
Inlet temperature (cold)	°C	15	15
Outlet temperature (hot)	°C	45	45
Temperature difference ΔT	°C	30	30
Water flow	m ³ /h	1,05	1,7
Power	kW	38	79



DW

S

DWS

