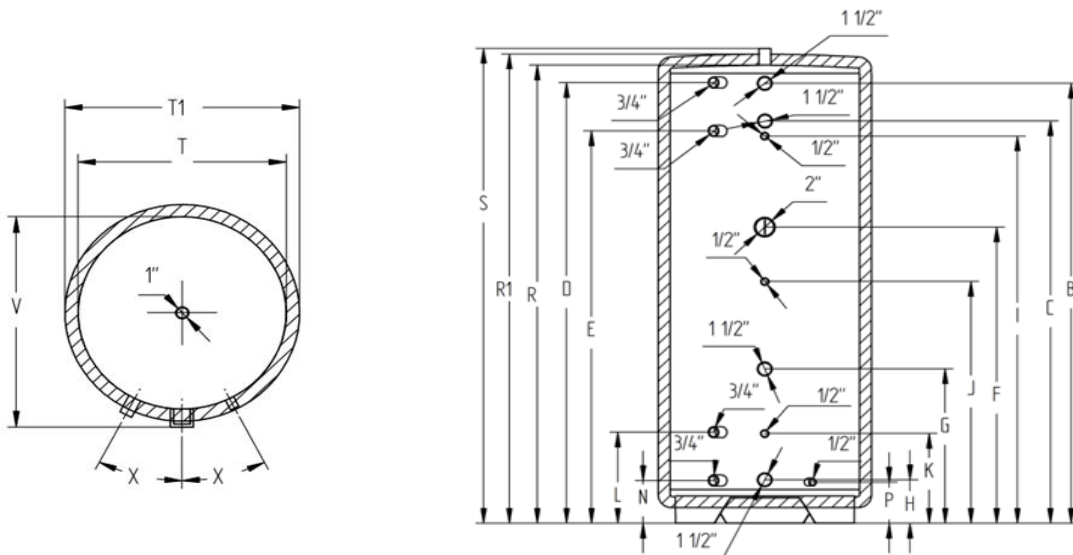




**mindreks**  
m e t a l l

## STANDARD ACCUMULATION TANKS WITH HEAT-EXCHANGERS

MODEL		Mi-300	Mi-400	Mi-500	Mi-720	Mi-950	Mi-1100	Mi-1400	Mi-1900	Mi-2500	Mi-3000
Volume	L	300	400	500	720	950	1100	1400	1900	2500	3000
Weight	kg	45	75	95	115	135	160	185	210	300	350
Max. operational temperature (Cmax)	C	95	95	95	95	95	95	95	95	95	95
Max. operational working pressure (Pmax)	Bar	3	3	3	3	2.5	2.5	2.5	2.5	2.5	2.5
Insulation	mm	50	50	100	100	100	100	100	100	100	100
T	mm	Ø550	Ø550	Ø630	Ø770	Ø770	Ø950	Ø950	Ø1250	Ø1250	Ø1350
T1	mm	Ø650	Ø650	Ø830	Ø970	Ø970	Ø1150	Ø1150	Ø1450	Ø1450	Ø1550
V	mm	600	600	730	870	870	1050	1050	1350	1350	1350
X	x°	30	30	30	30	30	30	30	30	30	30
S	mm	1400	1760	1760	1760	2320	1760	2320	1760	2320	2320
B	mm	1048	1315	1340	1590	2051	1565	2065	1600	2090	2115
C	mm	1308	1585	1586	1440	1874	1425	1865	1410	1810	1920
I	mm	1148	1435	1478	1320	1650	1315	1675	1290	1690	1810
F	mm	748	885	880	1110	1365	1015	1355	1170	1490	1670
J	mm	938	1200	1030	920	1191	865	1115	910	1160	1360
G	mm	468	615	580	660	771	565	865	630	660	800
K	mm	338	405	420	470	571	415	515	420	510	510
W	mm	198	190	190	210	165	165	175	220	220	220
P	mm	179	190	170	165	160	145	145	190	190	195

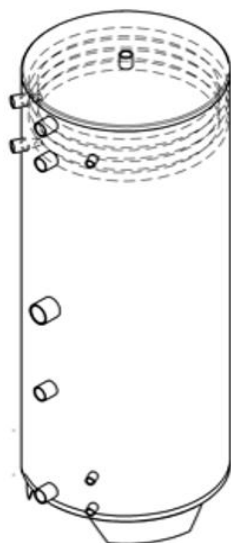


## STANDARD ACCUMULATION TANKS WITH HEAT-EXCHANGERS

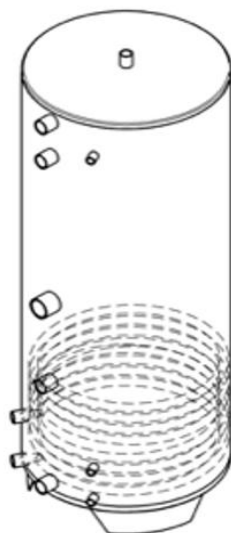
		DW	S
Exchanger surface area	m <sup>2</sup>	1.34	2.68
Exchanger volume	l	4.3	8.6
Exchanger tube length	m	10	20
Max. working temperature	°C	95	95
Max. working pressure	bar	10	10
Connections	DN	20	20

		DW	S
Tank temperature	°C	63	63
Inlet temperature (cold)	°C	15	15
Outlet temperature (hot)	°C	45	45
Temperature difference $\Delta T$	°C	30	30
Water flow	m <sup>3</sup> /h	1.05	1.7
Power	kW	38	79

**DW**



**S**



**DWS**

